

MU-IP1613 / 3213 MU-IP1624 / 3224

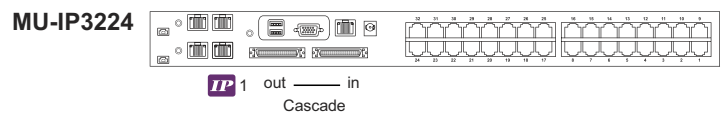
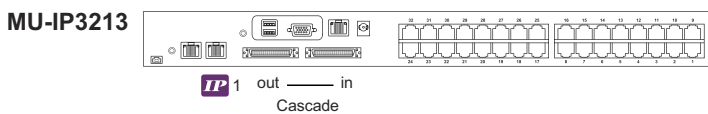
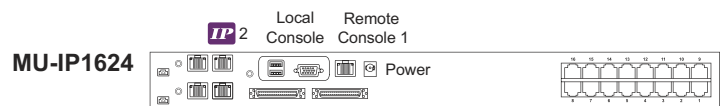
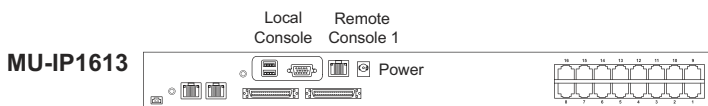


Matrix Multi-User Cat6 IP KVM Benefits

- ▶ Secure IP remote user access across the world wide web
- ▶ Efficient system management with simultaneous multi-user access
- ▶ Capable of connecting 32 or 16 servers per device in 1U
- ▶ Support DVI-USB, VGA-USB & VGA-PS/2 server interface
- ▶ Up to 40 meters between your server & KVM switch
- ▶ Enhanced Cat6 cable management with remote access up to 150m

Switch Features & Options

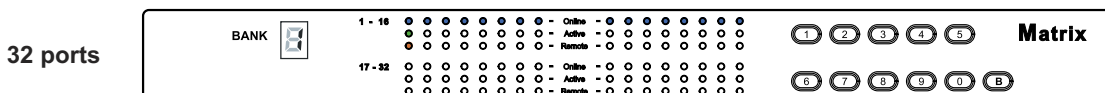
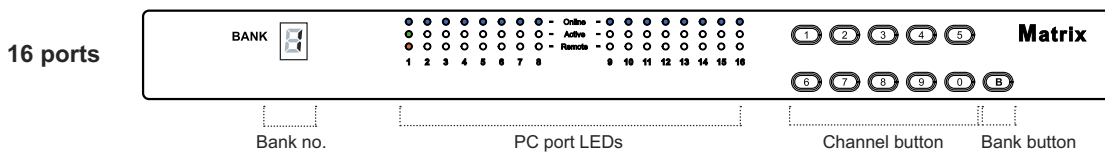
- Provide a diversity of consoles to access servers independently and simultaneously
- Use of the RJ45 Cat6 interface allows for a higher number of ports in smaller density
- Greater distances between your switch and servers allow enhanced data centre rack layouts
- Multi lingual on screen display menu
- Advanced user profiles and configurable OSD hot key combinations



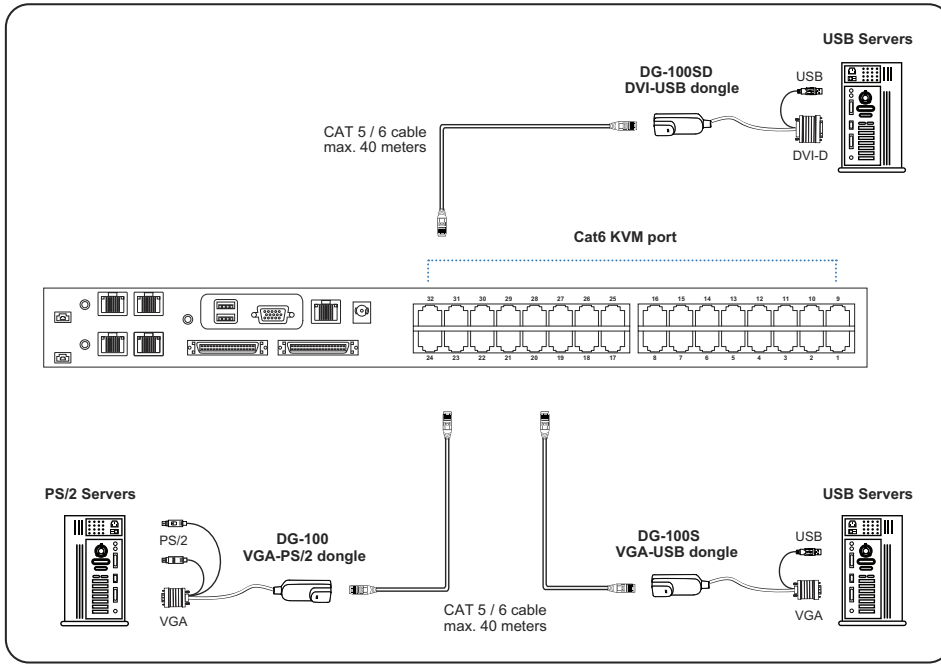
Ordering Information

Console	Local	Remote	IP	16-port	32-port
IP	1	1	1	MU-IP1613	MU-IP3213
IP IP	1	1	2	MU-IP1624	MU-IP3224

Front Panel - Port LED Indications



KVM port & Cat6 dongle connection



DG-100SD DVI-USB dongle

- To connect DVI-D connector to the computer's video card
- To connect USB connector to the computer's USB port



DG-100S VGA-USB dongle

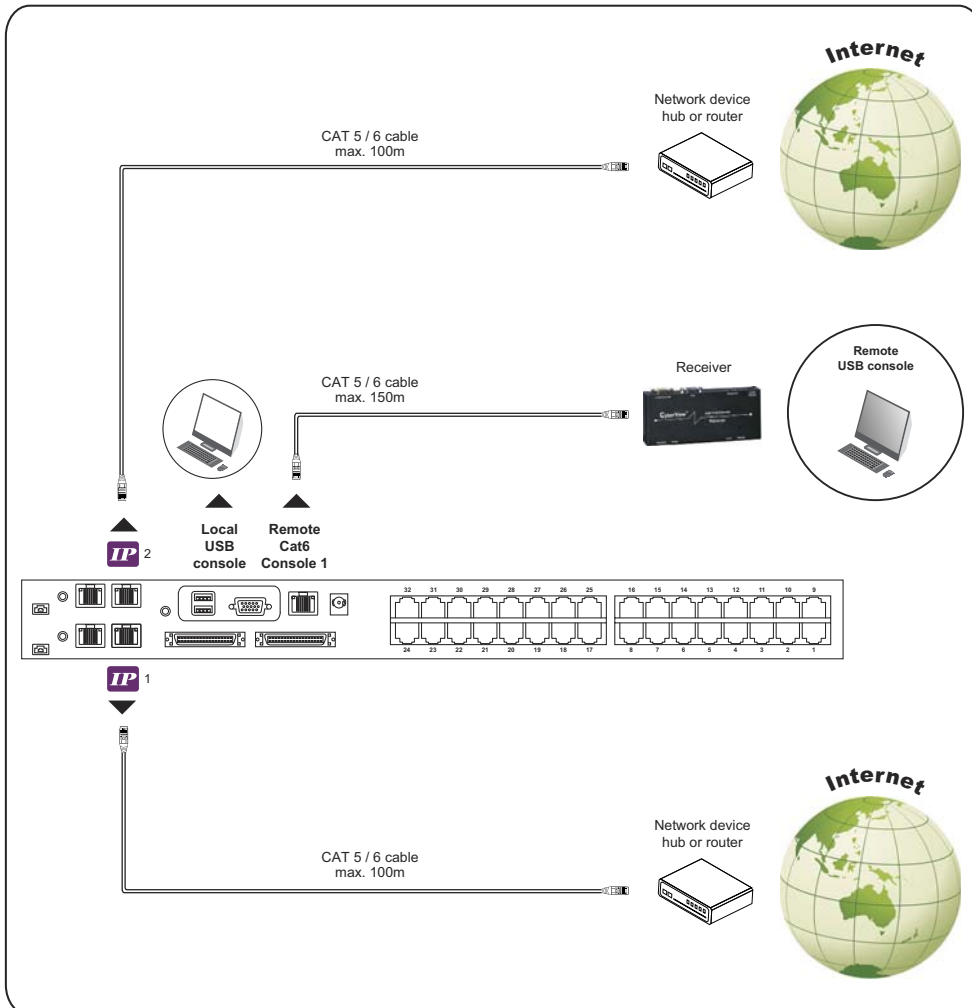
- To connect DB-15 connector to the computer's video card
- To connect USB connector to the computer's USB port



DG-100 VGA-PS/2 dongle

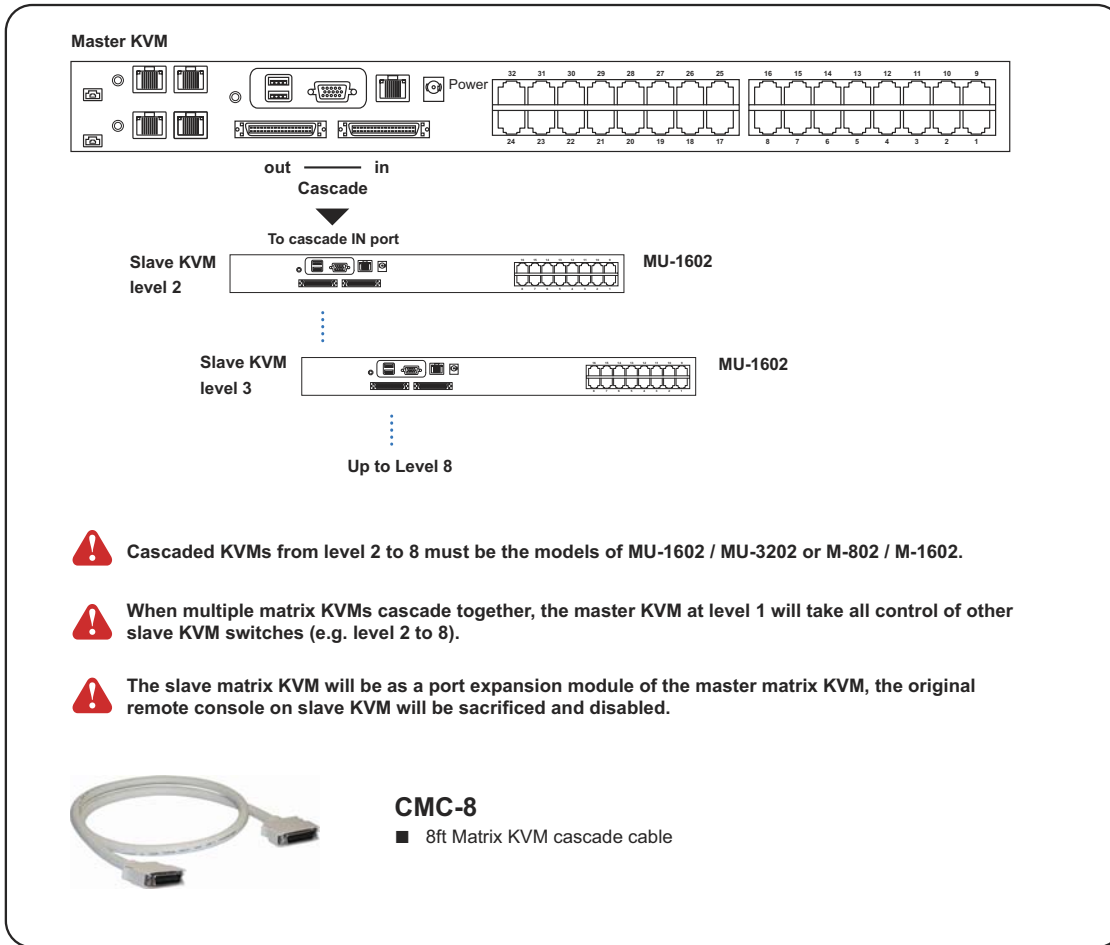
- To connect DB-15 connector to the computer's video card
- To connect PS/2 keyboard connector to the computer's keyboard port
- To connect PS/2 mouse connector to the computer's mouse port

IP, Remote & Local console connection



KVM Cascade

- Cascade up to 8 levels, 256 servers
- Cascading multiple KVM with CMC-8 cascade cable.



⚠ For detailed product specifications and options, please download the user manual from the link below :
www.austin-hughes.com/support/usermanual/cyberview/UM-CV-MUKVM.pdf

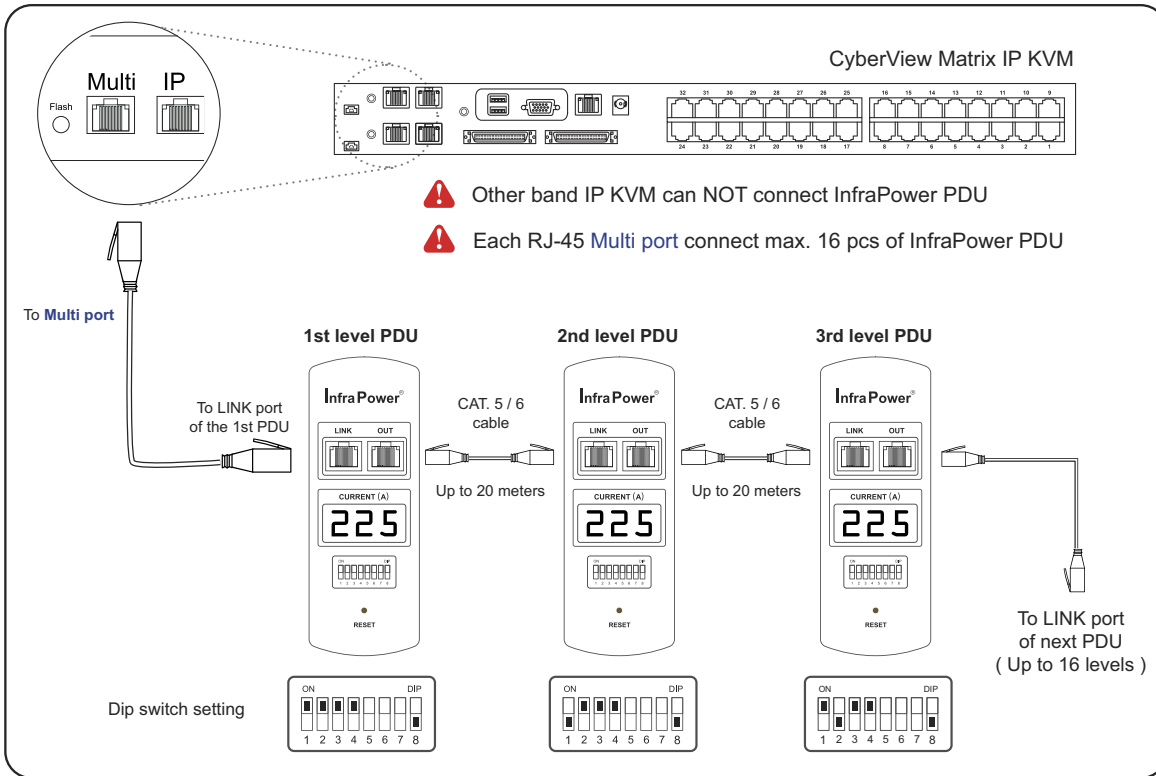
KVM Specification

■ KVM Port	Number of ports: 16 or 32 Connector: RJ-45 Connectivity: DVI-D / VGA connector dongle up to 40 meters (132 feet) via Cat6 / Cat5 cable
■ Local Console	Monitor port: HDDB15-pin VGA, up to 1600 x 1200 Keyboard & mouse port: 2 x USB type connector for keyboard & mouse
■ Cat6 Remote Console	Number of remote port: 1 Monitor port: DB15-pin VGA, up to 1600 x 1200 Keyboard & mouse port: 2 x USB type connector for keyboard & mouse Remote I/O: RJ45 via Cat5 / Cat5e / Cat6 cable up to 500 feet
■ IP Remote Console	Number of IP console: 1 for MU-IP1613 / MU-IP3213 2 for MU-IP1624 / MU-IP3224 User management: 15-user login, 1 x active user Browser: Internet Explorer, Firefox, Safari Security: SSL v3, RSA, AES, HTTP / HTTPS, CSR IP Access: RJ45 Ethernet per IP console
■ Expansion:	Up to 256 servers by 8-level cascade

■ Compatibility	Multi-platform: Mix PCs, SUNs, IBMs, HPs, DELLs Server Support: Windows Vista / 2003 / XP / 2000, Linux, Netware, Unix
■ Power	Input: AC power adapter Consumption: Max. 48 Watt, Standby 5 Watt
■ Regulatory Approval:	FCC, CE
■ Environmental	Operating: 0 to 50°C Storage: -5 to 60°C Relative humidity: 90%, non-condensing Shock: 50G peak acceleration (11ms, half-sine wave) Vibration: 58~100Hz / 0.98G (11ms / cycle)
■ Product Information	Dimension (W x D x H): 443 x 180 x 43.6 mm / 17.4 x 7.1 x 1.72 inch Net weight: 3 kg / 6.5 lb
■ Packing Information	Dimension (W x D x H): 500 x 400 x 90 mm / 19.7 x 15.7 x 3.5 inch Gross weight: 5 kg / 11 lb

IP Multi-port connection to remote PDU

CyberView IP KVM provides RJ-45 Multi port for the user to remotely control and manage servers & PDU together.



For details, please visit the link below :

www.austin-hughes.com/support/usermanual/infrapower/UM-IPS-01.pdf

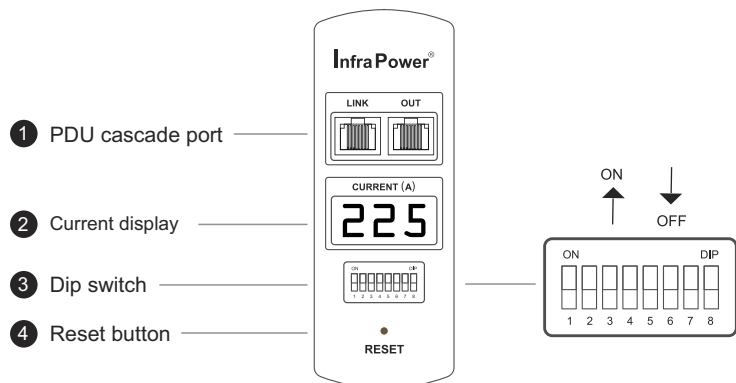
Using the **dip switch no. 1, 2, 3, 4 & 8** to setup each PDU level according to the table :

Cascaded PDUs	Dip switch no.				
	1	2	3	4	8
1st PDU	On	On	On	On	Off
2nd PDU	Off	On	On	On	Off
3rd PDU	On	Off	On	On	Off
4th PDU	Off	Off	On	On	Off
5th PDU	On	On	Off	On	Off
6th PDU	Off	On	Off	On	Off
7th PDU	On	Off	Off	On	Off
8th PDU	Off	Off	Off	On	Off
9th PDU	On	On	On	Off	Off
10th PDU	Off	On	On	Off	Off
11th PDU	On	Off	On	Off	Off
12th PDU	Off	Off	On	Off	Off
13th PDU	On	On	Off	Off	Off
14th PDU	Off	On	Off	Off	Off
15th PDU	On	Off	Off	Off	Off
16th PDU	Off	Off	Off	Off	Off

IP Multi-port connection to remote PDU



To access the PDU GUI, please enter the IP KVM main page and select **Remote Power > Start Service > Apply**



- For rackmount PDU, ② ③ ④ on the front panel left, ① on the rear panel



For more information about InfraPower PDU, please visit our web site below:
www.austin-hughes.com

