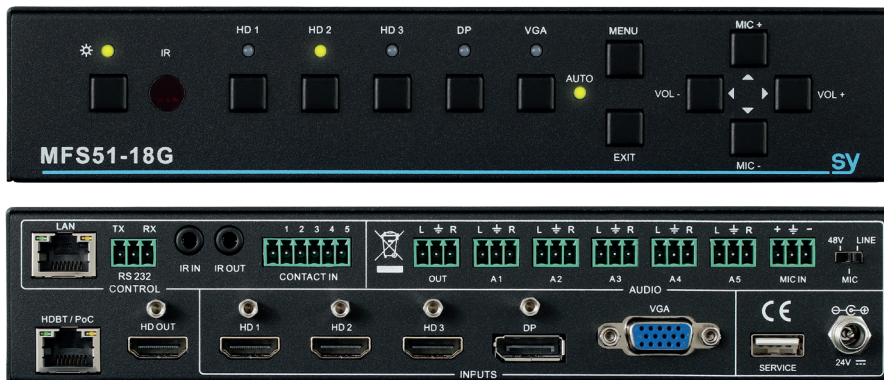


MFS51-18G

5 input Multi-Format 18G Presentation Switcher with Full Up/Down Scaler



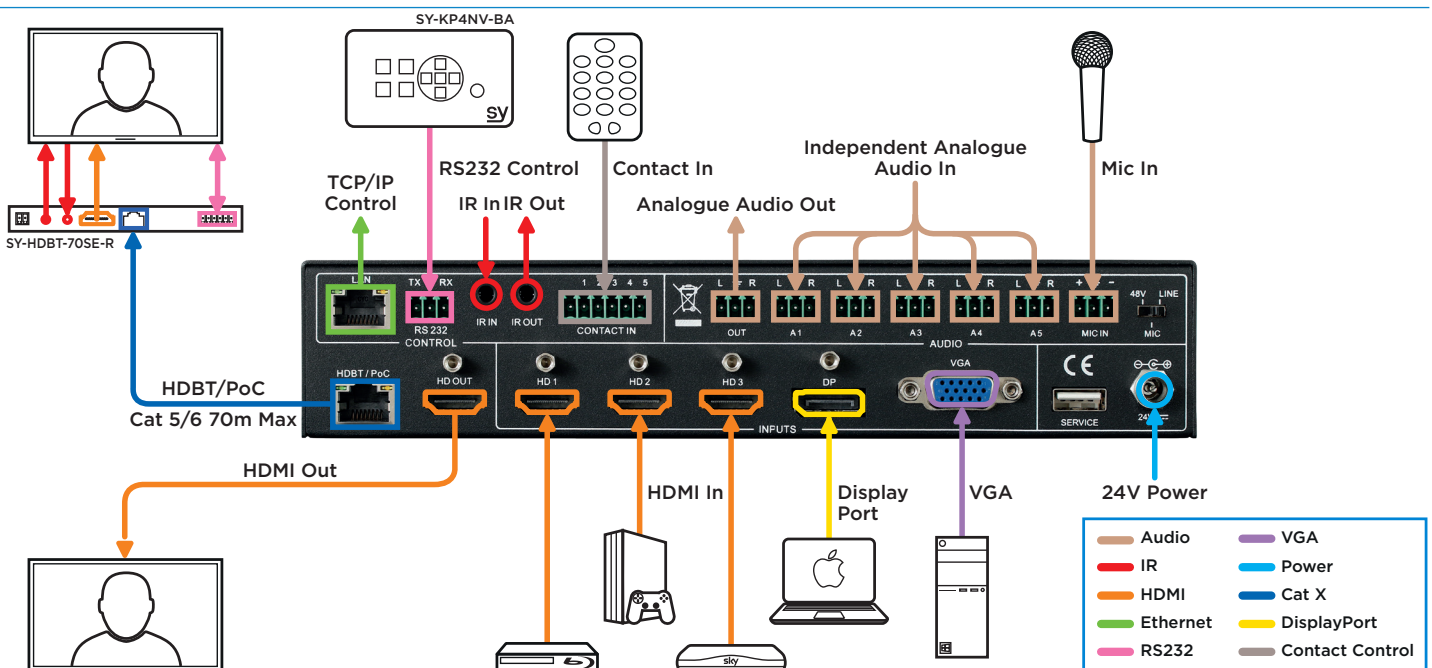
MFS51-18G

This versatile and powerful 4K multi-format scaling presentation switcher is capable of video resolutions up to 4K60 4:4:4 18G. Inputs include 3x HDMI, 1x DisplayPort and 1x VGA with a mirrored HDMI output and HDBaseT output with iPoC. Each HDMI input can be individually set to use its own embedded audio or any one of the 5 external analogue audio inputs. HDCP 2.2 management is included. The unit can be controlled via RS232, Lan with built-in Web GUI, or via contact button inputs. Auto or manual input switching. Various built-in EDID modes and output EDID copy modes along with auto (EDID bypass) mode. The MFS-51-18G also allows selection of specific output resolutions up to 4K by way of the built-in scaler, along with 3x different Aspect ratios. Scaled video signals are available as HDMI and HDBaseT (4K30 to 40m, 1080p to 70m - using Slim70 Edge). The built-in OSD menu also provides access to a single colour test pattern mode for White, Red, Green, Blue and Black. The test pattern can be used to confirm that a video signal can be seen on the HDMI and HDBaseT outputs. Audio routing is flexible and to control the Mic channel there is a user selectable Auto Ducking feature and Mic mixer. It has front panel Volume controls for the De-embedded Audio line output and Mic channel. All in an easy to install unit that can be stand alone or rack shelf mounted, making it suitable for a wide variety of applications, such as classrooms, lecture halls and meeting rooms.

FEATURES

- All resolutions up to 4K60 4:4:4 18G supported on all HDMI inputs
- Powerful output Scaler resolution up to 4K60 4:4:4
- EDID options of 5 built-in settings, or auto (EDID bypass) mode
- 5 video inputs - 3 HDMI, 1 DisplayPort and 1 VGA
- 5 audio analogue inputs
- 1 microphone input
- 1 local HDMI output
- HDBaseT output transmits up to 70m@1080p or 40m@4K30 (4:4:4)
- Input HDMI & DisplayPort resolutions up to 4K60 (4:4:4)
- Input VGA resolution up to 1920x1200 @60Hz
- VGA input supports RGBHV, YPbPr and CVBS
- 1 HDBaseT output
- Balanced stereo audio output
- IR IN & IR OUT for HDBaseT port
- OSD Menu output to connected displays
- Comprehensive set up and control via Web GUI

CONNECTIVITY ILLUSTRATION



SPECIFICATIONS

PART NUMBER	SY-MFS51-18G		
VIDEO RESOLUTIONS/FORMATS	All HDMI resolutions to 4096x2160p 60Hz 4:4:4		
BANDWIDTH	HDMI Inputs 18Gbps	HDMI Output 18Gbps	HDBaseT Output 10.2Gbps
HDCP	Compatible with all versions up to 2.2		
HDMI Input	HDMI 2.0		
DisplayPort Version	DP 1.2a		
VGA Version	VESA		
INPUTS	Video 3x HDMI 2.0 type A 1x Display port 1x VGA with 3.5mm audio	Audio 5x Audio Analogue 1x Mic/Line with switchable 48V Phantom power	
OUTPUTS	Video 1x HDMI 2.0 (18G) 1x HDBaseT (10.2G)	Audio 1x Audio Analogue	
CONTROL	RS232 LAN via Web GUI Contact button inputs		
POWER SUPPLY	24V DC 1.25A		
POWER CONSUMPTION	9W Max. (excluding HDBaseT Receiver).		
WEIGHT AND DIMENSIONS	Weight (net) 1.25kg	Size (WHD) 220 x 150 x 44mm	
WHAT'S IN THE BOX	1x MFS51-18G 1x 6 way Pluggable terminal block (Phoenix) 8x 3-way Phoenix connectors 1x RS232 cable 1x RGB to VGA cable 1x IR receiver 2x IR emitter 1x Set mounting brackets 1x IR Handset 1x 24v 1.25A external power supply 1x User's manual		

SY-MFS51-18G Data Sheet 01.1. Details subject to change with no prior notice. ©SY Electronics 2021