

# Xcalibur 44

HX150-44-18G

4x4 Matrix with RS232, IR & PoC



## Xcalibur 44



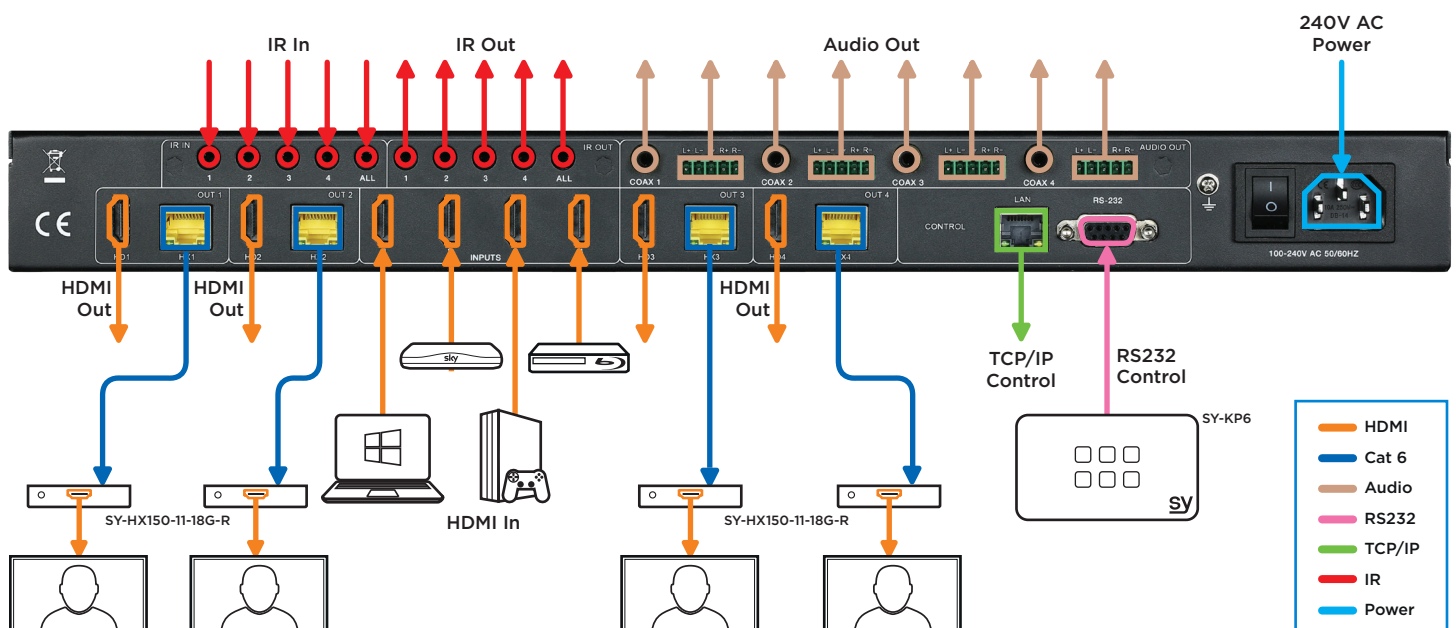
## Xcalibur 44

Designed with the professional System Integrator in mind. Xcalibur can transmit HDMI 2.0 18G signals @ 4K60Hz 4:4:4 to 120m and @ 1080p to 150m. As well as the HX outputs you also get a mirrored HDMI port on each output channel for local Displays or you can connect an AOC active fibre cable. Xcalibur 44 has Bi-directional IR, RS232 Control, RS232 Pass Through, Down Scaling of 4K60 4:4:4 to 1080p, Test Pattern Generator with Checkerboard or Solid Colour Patterns at 4K60, 4K30 or 1080p, Balanced Audio & Digital Audio De-embed Outputs, Video Keep Alive function which maintains a video output when no signal is detected, PoC, Support and management of HDCP 1.4 and HDCP 2.2 or Cascade Mode. Full EDID management. Control via RS232, IR, LAN as well as triggering CEC device commands via RS232. In addition the included Xcalibur 11 Receivers have an analogue Audio De-embed Output.

## FEATURES

- 4x4 Matrix Switcher
- 4x HX RXs included
- Long Range Reliable Transmission 1080p to 150m, 4K60 to 120m over cat6 cable
- HDMI 2.0 18Gbps 4K60 4:4:4
- Down Scaler - 4K to 1080p
- HDCP Management - Discrete control of HDMI & HX ports. HDCP 2.2, 1.4, or Cascade
- EDID Management - Discrete control of HDMI & HX ports, Pass-through, or user Memory option
- Test Pattern Generator - with Checkerboard or Solid Colour Patterns at 4K60, 4K30 or 1080p
- Video Keep Alive - Perfect for Projectors
- Audio Support - HDMI Pass Through to 7.1 Ch
- De-embed Audio to Balanced Analogue and Digital S/PDIF Coaxial outputs
- Bi-directional IR Pass Through, with IR Follows Input and Global IR
- RS232 Control - Bi Directional Addressable RS232
- PoC - Power all HX RXs from Xcalibur 44

## CONNECTIVITY ILLUSTRATION

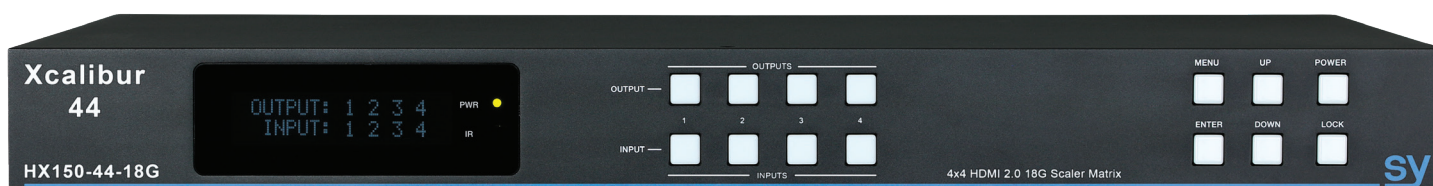


## SPECIFICATIONS

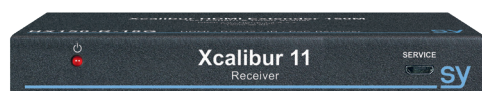
<b>PART NUMBER</b>	SY-HX150-44-18G		
<b>VIDEO RESOLUTIONS/FORMATS</b>	All HDMI and PC resolutions up to 4K2K 60Hz 4:4:4		
<b>BANDWIDTH</b>	18Gbps		
<b>HDCP</b>	Supports all version up to 2.2		
<b>INPUTS</b>	<b>Video</b> 4x HDMI 2.0		
<b>OUTPUTS</b>	<b>HX</b> 4x RJ45	<b>Video</b> 4x HDMI 2.0	<b>Audio</b> 4x RCA jack for Digital S/PDIF 4x 5 Pin Phoenix terminals for Balanced L/R
<b>CONTROL</b>	IR Receiver input via 3.5mm Jack RS232 via 9 pin D-Sub connector		
<b>POWER SUPPLY</b>	100V - 240V AC 50/60Hz - (IEC C14 connector)		
<b>POWER CONSUMPTION</b>	31W Max.		
<b>WEIGHT AND DIMENSIONS</b>	<b>Weight (net)</b> 3.1kg	<b>Size (WHD)</b> 440 x 44.5 x 220mm (19in x 1U)	
<b>WHAT'S IN THE BOX</b>	1x Matrix Switcher SY-HX150-44-18G 4x HX Receivers SY-HX150-11-18G-R 1x IR Remote Control 1x pair of main unit Rack mounting brackets 4x pairs of Receiver mounting brackets 4x 3-way Screw Terminal Connectors 4x 5-way Screw Terminal Connectors 5x IR Emitters 5x IR Receivers 1x RS232 cable – DSUB-9 male to DSUB-9 female (1.5m) 1x UK 13A Mains Cable to IEC-60320 C13 Connector (1.5m) 1x User manual		

SY-HX150-44-18G Data Sheet 01. Details subject to change with no prior notice. ©SY Electronics 2022

## Xcalibur 44 + 4x Xcalibur 11 Receivers



### Xcalibur 44



### 4x Xcalibur 11 Receivers